

 **First in Quality. Built to Last.**



*VSA1721

AUTO L-SEALER VALUE SERIES

RELIABLE AUTOMATIC L-SEALING

EASTEY Value Series Automatic L-Sealers offer the durability and functionality needed to handle a variety of applications efficiently.

MODELS

VSA1721, VSA2530

BUILT RIGHT...PRICED RIGHT

Proven reliable over and over again, these intermediate level EASTEY Automatic L-Sealers provide you with all the quality features found in much higher priced machines. They are designed and built to give you all the performance features needed for positive sealing a wide variety of films including polyolefin, polyethylene, and PVC.

PROVEN RELIABILITY, EFFICIENT DESIGN

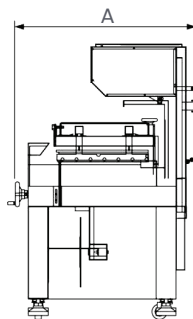
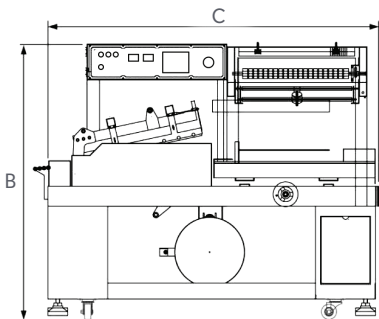
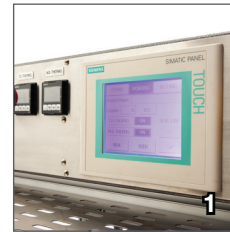
Designed specifically for entry-level or intermediate applications that require simple operation, small footprint, or a limited budget, Eastey's Value-Series Automatic L-Sealers will handle the day to day abuse required for automatic sealing.

STANDARD FEATURES

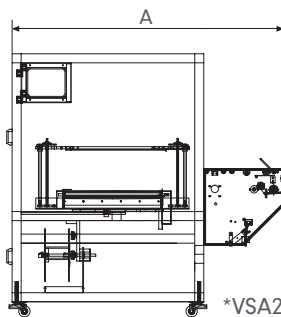
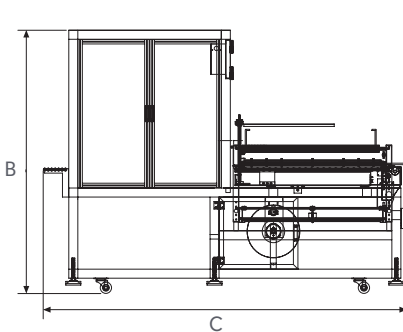
- Designed to seal most polyolefin, polyethylene, and PVC shrink film
- All-welded main frame from 12 gauge steel
- Normal speed infeed and outfeed conveyors
- High speed with product indexing
- Motorized seal height adjustment for various product sizes
- Seal head equipped with pneumatic air cylinder for automatic sealing
- Hot knife seal bar for consistent and clean seal
- Consistent pressure across seal bar
- Automatic cycle timing with adjustable dwell time
- HMI controller with simple menus for easy operation
- Film tracking wheels keep film in place
- Multiple pin perforator provides precise air evacuation
- Heavy duty casters for transportation within plant
- Leveling legs provide sturdy base once in place
- VSA1721 features a 17"W x 21"L seal area
- VSA2530 features a 25"W x 30"L seal area
- Scrap unwind automatically wraps up the scrap film left from the sealer
- Easy to use design requires minimal training and maintenance
- VSA1721 maximum film width up to 22"
- VSA2530 maximum film width up to 32"
- Maximum film roll OD up to 12"
- 80 psi
- Available in 220v



*VSA2530



*VSA1721



*VSA2530

1. VSA1721 HMI

User interface features simple menus for easy operation and adjustments required for a variety of applications

2. VSA2530 HMI

User interface features simple menus for easy operation and adjustments required for a variety of applications

3. Pin Perforator

Adjustable pin perforator provides air evacuation in the film or clean and tight film shrinkage

4. Roller Exit Table

Provides a smooth transition from the seal area to the shrink tunnel

| MODEL NUMBER | MACHINE DIMENSIONS | | | FILM WIDTH | CONVEYOR HEIGHT | | STANDARD POWER | | | WEIGHT | SHP WT. |
|--------------|--------------------|-----------|-----------|------------|-----------------|-------|----------------|------|-------|----------|----------|
| | WIDTH(A) | HEIGHT(B) | LENGTH(C) | | MIN | MAX | VOLTS | AMPS | PHASE | | |
| VSA1721 | 45" | 58" | 72" | 22" | 31.5" | 34" | 220 | 10 | 1 | 1000 lbs | 1100 lbs |
| | 114 cm | 147 cm | 182 cm | 55 cm | 80 cm | 86 cm | | | | 453 kg | 498 kg |
| VSA 2530 | 71" | 69" | 95" | 32" | 33.5" | 36" | 220 | 15 | 3 | 1100 lbs | 1200 lbs |
| | 181 cm | 175 cm | 242 cm | 81 cm | 85 cm | 91 cm | | | | 498 kg | 544 kg |



7041 Boone Avenue North, Brooklyn Park, MN 55428
 (763) 428-4846 1 (800) 835-9344
 www.easty.com info@easty.com

